



**REMAL**  
*Aluminum & Glass Company*

## INTRODUCTION

Established in 2004, Remal operates one of the latest and most advanced aluminium & façade specialist company in the UAE covering a total area of 10000 sqf, including a large stockyard. Remal actively involving of aluminium fabrication processing glass and provides integrated glass solutions to its extensive network of clients. Remal import raw materials from various sources complying with most Stringent international standards. This has been one of the primary reasons why Remal has achieved unparalleled levels of professional excellence, reliability and quality in serving customers. Backed by an outfit and highly qualified professional staff and engineers, Remal ensures fabrication of every order is accurate and complying to international accepted quality control standards. Remal has carved a niche, as a trusted quality conscious organization, adopting the latest technologies and working techniques in all its activities including field work, administration and project manage-

## MESSAGE FROM THE CHAIRMAN

The current economic times is challenging for our industry. However, within Remal, we are rich in employee experience and professionalism. This experience and professionalism to makes us the market leader in Architectural

Aluminium glass in the UAE. We strongly believe that the honesty and transparency is the secret of real business success. Our corporate strategy comprises specific objectives on how we do our business (premium positioning, brand and product policy, organizational structure etc.) And what quantitative goals we have set ourselves for a medium term time frame (sales volume and gross profit etc.). Our success is your success. With your support we will build Remal as a market- leader in this field. We are looking forward to great success.

## A TRUE SUCCESS STORY

In a span of six years Remal Group has grown to a conglomerate with businesses dealing with glass & facade architectural and industrial applications. The secret of our success lies in our ability to complement and support an ever-growing demand for glass to cater to regional needs. Each day we create new standards of quality and service in the industry. We continue to work towards setting up a benchmark of quality and make Remal company a brand name synonymous with architectural and industrial glass products globally. Remal provides end to end solutions right from manufacturing of glass, processing, fabrication and installation services.

It is a sand-to-solutions organization offering varied types of glass products & services for institutional buyers as well as retail customers.



**REMAL**  
Aluminum & Glass Company

Aluminum & Glass Co.



## CEO MESSAGE

We proudly announce that the principles and strong values upon which our company was founded are still practiced daily. They are the core of our continued achievements and growth. Quality is the foundation of Remal past and future. We are working tirelessly to improve ourselves to meet the needs of our dynamic society. We will take courageous stands and will continue to be active on behalf of issues such as environmental sustainability, equality and corporate social responsibilities.

Remal has always keen to deliver efficient, cost effective, and high quality works in the field of Metal, Aluminium & Glass. We accomplish this through empowering our team, by constantly seeking to improve our knowledge base and experience, and by expanding our thinking and resources as the world economy, community and technology evolve. We would like to take this opportunity to pledge that the Remal team will endeavor to devote our full efforts to exceed our customer's expectation and fully satisfy their needs and requirements.

[Inquiry.ae@gmail.com](mailto:Inquiry.ae@gmail.com)

## **MESSAGE FROM THE ACTING MANAGING PARTNER**

Remal , the business empire it is today, started as one man's vision to transform lives. The Company's Managing Partner, ADEL OBALD MOHAMED ISMAIL ACBLOOSHI, envisioned a progressive society built on the rock solid foundations of modern glass & facade and took the first steps for advancement of the aluminum glass com business, way back in 2004.

The escalated growth and rapid diversification in the years to follow is a testimony to his keen foresight and business acumen.

With the company's foray into the glass & façade sector, he earned considerable support and admiration for being an active contributor towards the company's growth and for channelling business with prudence.

Remal aluminum glass com success is in maintaining excellent relationships with all our clients & associates and working for mutual benefit in the most ethical and transparent manner.

I thank all our business associates who are a part of our growth and accomplishment.

# BUILDING ON TRUST

Our pride and strength are our employees. Though from different origins and dialects, they are focused and oriented to serve the customer with the best - first time and every time as we always believe in quality not quantity.

We believe we will be successful if our clients are successful. Solving the hardest problems requires the best people. We think that the best people will be drawn to the opportunity to work on the hardest problems. We build our firm around that belief. These two parts of our mission reinforce each other and make our firm strong and enduring.



## QUALITY MANAGEMENT SYSTEM

We believe that Quality is everybody's responsibility, and continuous improvement is the driving force for success, so we also commit ourselves to continually improve the quality of our projects and services by continually reviewing and monitoring operations and achieving our objectives.

This is done by the effective and efficient implementation of Quality Management system standards in addition to complying with the applicable legal requirements and statutory regulations.

Our processes are monitored stringently by external and internal auditors to ensure quality control procedures which are implemented across all processes in the value chain of the company. The quality considerations taken into account while developing our products include:

1. Principles of Design
2. Structural integrity
3. Thermal Performance
4. Pressure Equalization
5. Aesthetic Elegance
6. Safety Factors

## MANAGEMENT

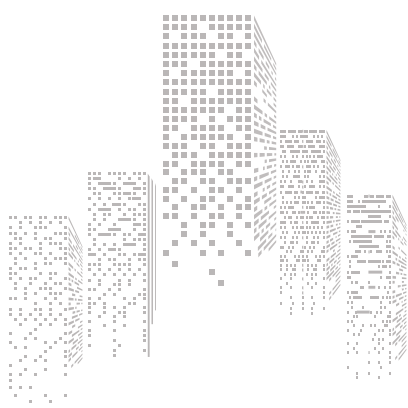
Remal is founded in the year 2004, with a humble start as an interior decoration & general maintenance company has a substantial growth in terms of workforce size as well as revenue. Years of competition and challenging experience have shaped the company into an all rounder in the Construction Works, provides in-depth management and supervision of all its project, also provides added value to clients with its ability to self-perform structural and architectural finishing works. Our management expertise is to provide accurate estimating, efficient project management and effective cost-control. Effective teamwork significantly and positively affects our ability to deliver a quality project on time and within budget.





Remal is an experienced general and electrical contractor dedicated to quality construction and efficient management of resources. Our track record of major projects including new construction, renovation and restoration has earned us a reputation for being creative, technologically advanced and extremely responsive to our customers. The care and concern that we have for our employees and subcontractors greatly enhance our ability to deliver quality projects on time and within budget. Above all, we are dedicated to our customers and their projects.

The necessity to form Remal and the starting of this fabricating firm is due to the heavy demand in market as well as Remal own clients | Remal used to sub lease the fabrication job in outside source and it made difficult in getting the job in stipulated time.



## HEALTH & SAFETY POLICY

Remal considers Health and Safety as a core business value and is committed to creating a future free of incidents and injuries. Our Top management, Employees and all interested parties are committed to:

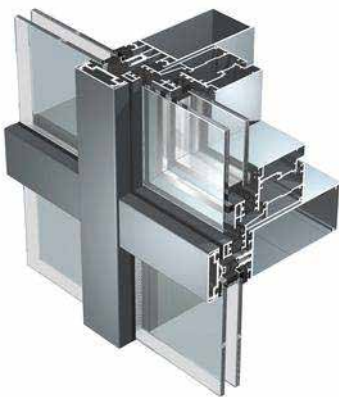
- Ensuring our services meet the needs and expectations of our customers in terms of Occupation Health & Safety.
- Ensuring safety and welfare of our employees and the protection of our assets as well stakeholders.
- Working safety and thereby enhancing the quality, productivity and respecting human lives.
- People are enabled to make safe choices about their own and their neighbor's safety and to challenge the environment in which they work.
- Good safety behaviour is admired, respected and recognized across the organization.
- Complying with all relevant health and safety legal requirements, both national and international that apply to Remal operations.
- Continual improvement in Health and Safety Management Systems, thereby making Remal the clients first choice.
- Establishing and Implementing a documented Health and Safety Management System meeting international standard requirement.
- Providing a fully trained and competent workforce who can execute their work in a safety manner.
- Ensuring compliance to procedures, programs and resources.
- Communicating Health and Safety Policy and objectives to relevant parties including its



## **REMAL Aluminum & Glass Co**

- 1 Fixed Curtain Wall
- 2 Curtain Wall With Hung Window
- 3 Hinge Door
- 4 Sliding Door
- 5 Swingdoor
- 6 Sliding Window
- 7 Fixed Window
- 8 Tilt & Turn Window
- 9 Spider Glazing
- 10 Automatic Sliding Door
- 11 Manual Sliding Door
- 12 Fixed Louver & Decorative Louver
- 13 Folding Louver Door (DEWA, SEWA Requirements)
- 14 Kitchen Cabinets
- 14 Fixed Claustra
- 15 Pergolas
- 16 Skylights
- 17 Handrail, Staircase & Balustrade
- 18 ACP Cladding
- 19 Shower Encloser
- 20 Frameless Glass Partition & Shop Front
- 21 Stainless Steel Handrails
- 22 Ladder MS & SS
- 23 Maintenance Works

# CURTAIN WALL WITH HUNG WINDOW



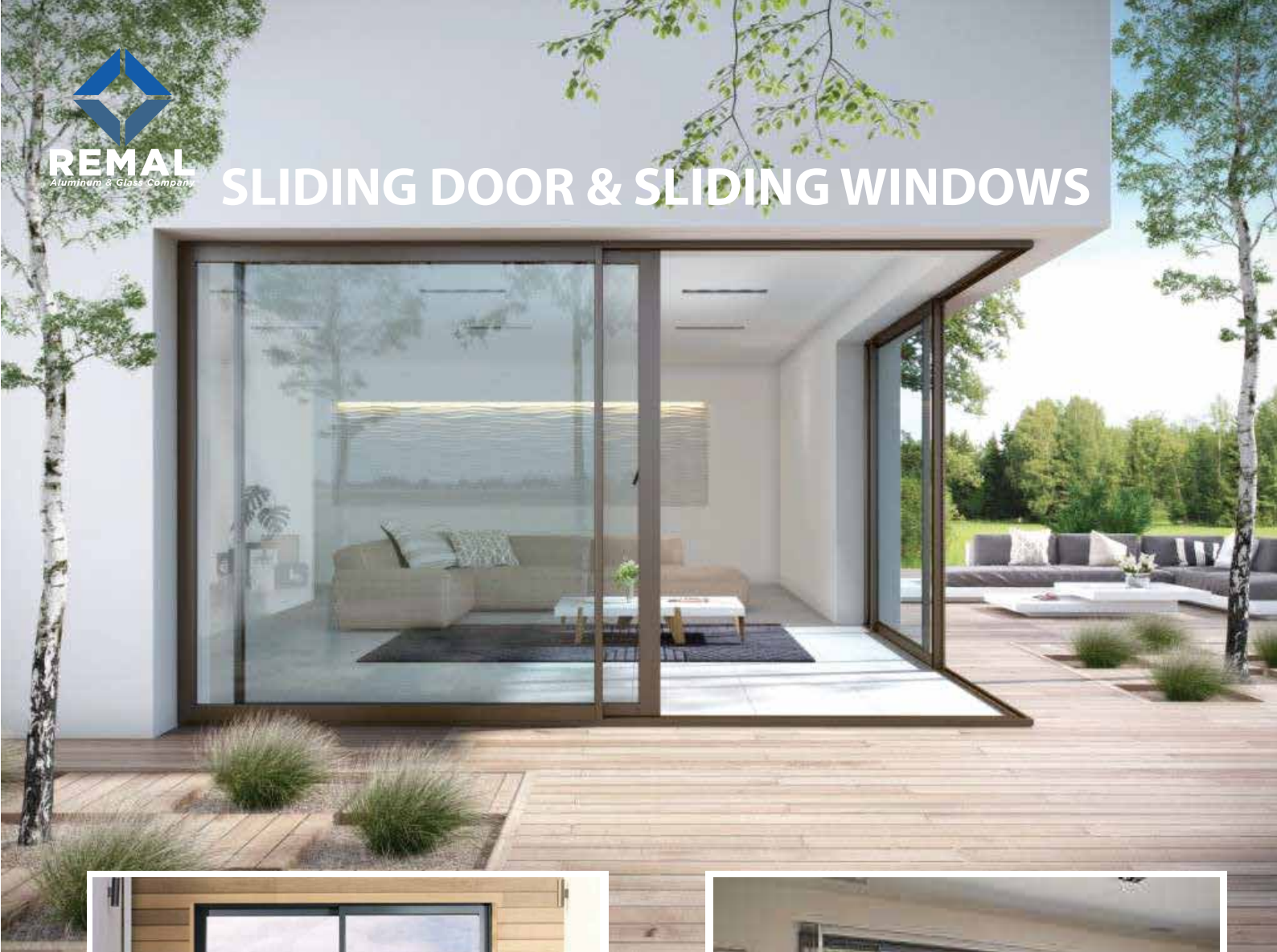
# HINGE DOOR & SWING DOOR





**REMA**  
Aluminum & Glass Company

# SLIDING DOOR & SLIDING WINDOWS



[Inquiry.ae@gmail.com](mailto:Inquiry.ae@gmail.com)



**REMA**  
Aluminum & Glass Company



# TILT & TURN WINDOWS



[Inquiry.ae@gmail.com](mailto:Inquiry.ae@gmail.com)



# SPIDER GLAZING



[Inquiry.ae@gmail.com](mailto:Inquiry.ae@gmail.com)

# AUTOMATIC SLIDING DOOR





## MANUVAL SLIDING DOORS



# LOUVER & SUNSHADE LOUVER





# KITCHEN CABINETS



[Inquiry.ae@gmail.com](mailto:Inquiry.ae@gmail.com)



# SKYLIGHTS



# BALUSRADE





**REMAL**  
Aluminum & Glass Company

# SHOWER ENCLOSURE



[Inquiry.ae@gmail.com](mailto:Inquiry.ae@gmail.com)

# FRAMELESS GLASS PARTITION



# PERGOLA








## CONTACT

 +971 55 427 3567

 +971 50 309 7163

 +971 6 523 0153

 PO Box: 525185, Shj. - UAE

 estimation.ae@gmail.com  
remalagc@emirates.net.ae

 [www.remal.ae](http://www.remal.ae)

